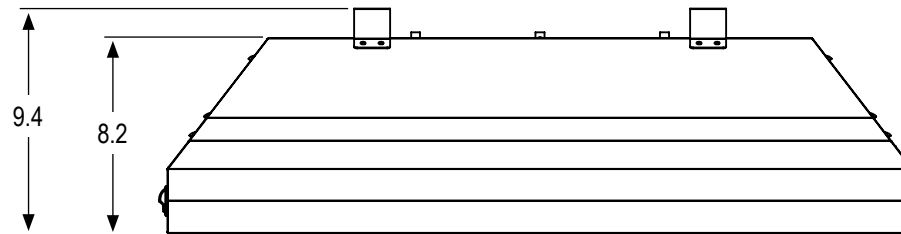
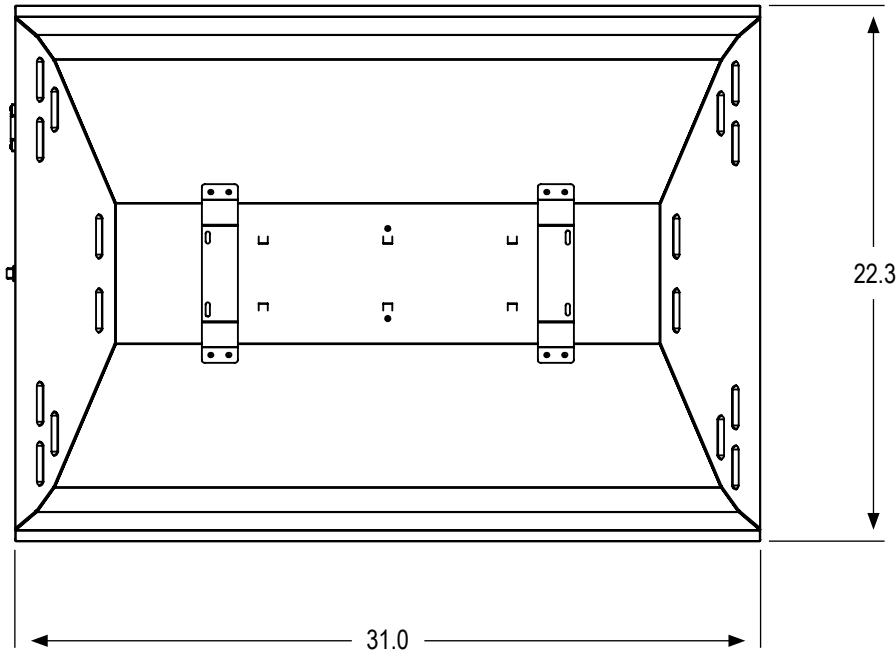


SPECIFICATIONS

LEC® 630 Light Emitting Ceramic Fixture - 120 Volt

Item #906217



REFLECTOR WEIGHT: 23.5 lbs



This document is not intended to be used for installation purposes. We cannot cover all specific applications or anticipate all requirements. All specifications are subject to change without notice.

• = yes

| | |
|--|---|
| • | ETL LISTED |
| | NOT ETL LISTED |
| Tested to UL Standard #1598 | |
| | AIR-COOLED |
| | ACCEPTS GLASS |
| | HINGED GLASS FRAME |
| • | DETACHABLE POWER CORD |
| • | 600 VOLT RATED CORD |
| • | FABRICATED IN USA* |
| • | 2 YEAR WARRANTY ON FIXTURE |
| • | 1 YEAR WARRANTY ON LAMP |
| BALLAST | |
| • | 120 VOLTS |
| • | 732 WATTS |
| • | 6.1 AMPS |
| LAMP COMPATIBILITY | |
| • | CDM-T LIGHT EMITTING CERAMIC (LEC) |
| Lamp Wattage: 315 each (2 lamps/unit) | |
| LAMP POSITION | |
| • | HORIZONTAL |
| | VERTICAL |
| LAMP SOCKET TYPE | |
| • | INTEGRATED - FOR USE WITH CDM-T 315 WATT LEC LAMPS ONLY |

*with US and globally sourced parts